

# Standard Lubro Unit

## Technical Specifications



Torque control of pneumatic torque tools (such as C-RAD models) is achieved by adjustment of air pressure via the installation of a C-RAD lubro between the air compressor and torque tool.

The standard lubro reduces moisture content and lubricates the air supply.

The C-RAD lubro is fitted with an easy to read pressure gauge for accurate setting

Supplied with a standard 3 metre length of strengthened hose

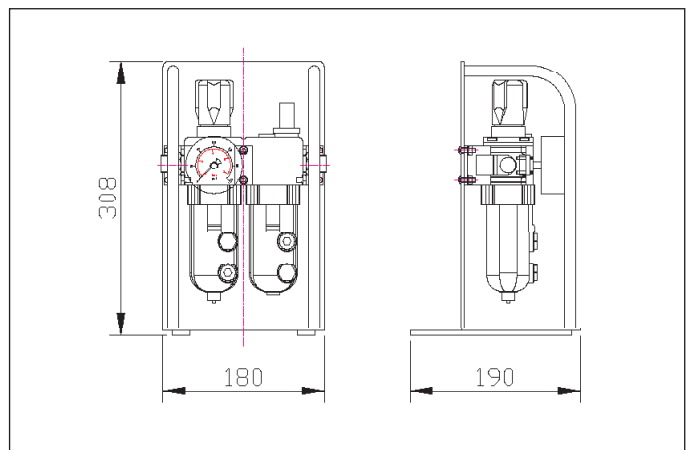
For protection to the lubro and to prevent tampering, caged and lockable versions are available on request.

Standard design Lubro and 3 metre hose supplied for hire with all C-RAD and Pneutorque tooling.

On sites where water in air hoses is a real problem, lubro units can be offered with heavy duty water filters (see technical specification download 'Heavy Duty Water Filter Lubro Unit' under heading 'Ancillaries')

Weight: 4.5 Kg (includes oil and 3 metre hose)

All measurements are in mm



• No statement or data within this literature is warranted or guaranteed to be accurate.

### Prevent loss and protect tooling



Storage / carry cases are available to suit individual tool kits. Make transportation easy, protect equipment from the elements, prevent damage during storage and ensure that essential components don't go missing.

Whilst every effort has been made to ensure the availability of the models and specifications within this catalogue, our policy of continuous improvement means specifications and models are liable to change without notice. We reserve the right to change the specifications and models available for sale or hire and to supply equivalent products where appropriate.

### W.CHRISTIE (INDUSTRIAL) LTD

CHRISTIE HOUSE, MEADOWBANK ROAD,  
ROTHERHAM, SOUTH YORKSHIRE, S61 2NF, UK  
T : +44(0)1709 550088 F : +44(0)1709 550030  
E : INFO@WCHRISTIE.COM W : WWW.WCHRISTIE.COM

REGISTERED OFFICE: UNIT F7, FESTIVAL BUSINESS CENTRE,  
150 BRAND STREET, GLASGOW, G51 1DH SCOTLAND  
T: +44(0)141 427 9801 F: +44(0)141 427 9802  
E: WCHRISTIEGLW@BTCONNECT.COM  
REGISTRATION NO: SC 035247



CERTIFICATE NO: 2539/00